

## CHAPTER 2

### Transmitter and Receiver Systems

Acronyms .....	2-iii
2.1 Radio Frequency Standards for Telemetry .....	2-1
2.2 Definitions.....	2-1
2.3 Bands.....	2-1
2.3.1 Allocation of the Lower L-Band (1435-1535 MHz).....	2-2
2.3.2 Allocation of the Lower S-Band (2200 to 2300 MHz).....	2-3
2.3.3 Allocation of the Upper S-Band (2310 to 2395 MHz). ....	2-3
2.3.4 Allocation of the Lower C-Band (4400-4940 MHz) .....	2-3
2.3.5 Allocation of the Middle C-Band (5091-5150 MHz) .....	2-3
2.3.6 Allocation of the Upper C-Band (5925-6700 MHz).....	2-4
2.4 Telemetry Transmitter Systems .....	2-4
2.4.1 Center Frequency Tolerance .....	2-4
2.4.2 Output Power .....	2-4
2.4.3 Modulation.....	2-4
2.4.4 Spurious Emission and Interference Limits .....	2-13
2.4.5 Operational Flexibility .....	2-13
2.4.6 Modulated Transmitter Bandwidth.....	2-14
2.4.7 Valid Center Frequencies Near Telemetry Band Edges .....	2-14
2.5 Telemetry Receiver Systems.....	2-15
2.5.1 Spurious Emissions.....	2-15
2.5.2 Frequency Tolerance.....	2-15
2.5.3 Receiver Phase Noise.....	2-15
2.5.4 Spurious Responses .....	2-15
2.5.5 Operational Flexibility .....	2-15
2.5.6 Intermediate Frequency Bandwidths .....	2-15
2.5.7 C-band Downconversion .....	2-16
Appendix 2-A. Glossary .....	2-17
Appendix 2-B. References .....	2-18

#### List of Figures

Figure 2-1. FQPSK-JR baseband signal generator .....	2-6
Figure 2-2. Basic SOQPSK .....	2-8
Figure 2-3. SOQPSK Transmitter.....	2-10
Figure 2-4. Conceptual CPM Modulator .....	2-11
Figure 2-5. Continuous single sideband phase noise power spectral density .....	2-12

**List of Tables**

Table 2-1.	Telemetry Frequency Allocations.....	2-1
Table 2-2.	FQPSK-JR Shaping Filter Definition .....	2-7
Table 2-3.	FQPSK-B and FQPSK-JR Phase Map.....	2-8
Table 2-4.	SOQPSK-TG Parameters.....	2-10
Table 2-5.	SOQPSK Pre-Coding Table for IRIG-106 Compatibility .....	2-10
Table 2-6.	Dibit to Impulse Area Mapping .....	2-11
Table 2-7.	Standard Receiver Intermediate Frequency Bandwidths .....	2-15

## Acronyms

$\mu\text{V}$	microvolt
ARTM	Advanced Range Telemetry
CPFSK	continuous phase frequency shift keying
CPM	continuous phase modulation
dB	decibel
dBc	decibels relative to the carrier
dBm	decibel referenced to one milliwatt
EIRP	effective isotropic radiated power
FM	frequency modulation
FQPSK	Feher's quadrature phase shift keying
GHz	gigahertz
Hz	hertz
IF	intermediate frequency
kHz	kilohertz
Mb/s	megabit per second
MHz	megahertz
MIL-STD	Military Standard
NRZ-L	non-return-to-zero-level
NTIA	National Telecommunications and Information Administration
OQPSK	offset quadrature phase shift keying
PCM	pulse code modulation
PSD	power spectral density
RF	radio frequency
RFC	radio frequency channel
SOQPSK	shaped offset quadrature phase shift keying

This page intentionally left blank.

## CHAPTER 2

### Transmitter and Receiver Systems

#### 2.1 Radio Frequency Standards for Telemetry

These standards provide the criteria to determine equipment and frequency use requirements and are intended to ensure efficient and interference-free use of the radio frequency spectrum. These standards also provide a common framework for sharing data and providing support for test operations between ranges. The radio frequency spectrum is a limited natural resource; therefore, efficient use of available spectrum is mandatory. In addition, susceptibility to interference must be minimized. Systems not conforming to these standards require justification upon application for frequency allocation, and the use of such systems is highly discouraged. The standards contained herein are derived from the National Telecommunications and Information Administration's (NTIA) Manual of Regulations and Procedures for Federal Radio Frequency Management.<sup>1</sup>

#### 2.2 Definitions

As of RCC 106-13 published June 2013, the definitions that in previous versions comprised this section are now located in [Appendix 2-A](#), one of two appendices new to this publication.

#### 2.3 Bands

The bands used for telemetry are described unofficially below. Additional detail can be seen at [Table 2-1](#).

Lower	L-band	1435 - 1535 megahertz (MHz)	Lower	C-band	4400 - 4940 MHz
Lower	S-band	2200 - 2290 MHz	Middle	C-band	5091 - 5150 MHz
Upper	S-band	2310 - 2395 MHz	Upper	C-band	5925 - 6700 MHz

**Table 2-1. Telemetry Frequency Allocations**

Frequency Range (MHz)	Unofficial Designation	Comments	Refer to:
1435-1525	Lower L-band	Telemetry primary service (part of mobile service) in USA	<a href="#">2.3.1</a>
1525-1535	Lower L-band	Mobile satellite service (MSS) primary service, telemetry secondary service in USA	<a href="#">2.3.1</a>
2200-2290	Lower S-band	Telemetry co-primary service in USA	<a href="#">2.3.2</a>
2310-2360	Upper S-band	Wireless Communications Service (WCS) and broadcasting-satellite (sound) service (BSS) primary services, telemetry secondary service in USA	<a href="#">2.3.3</a>

<sup>1</sup> National Telecommunications and Information Administration. "Manual of Regulations and Procedures for Federal Radio Frequency Management." May 2012. May be superseded by update. Available at [http://www.ntia.doc.gov/files/ntia/publications/redbook/2012-05/Manual\\_2012.pdf](http://www.ntia.doc.gov/files/ntia/publications/redbook/2012-05/Manual_2012.pdf).

2360-2395	Upper S-band	Telemetry primary service in USA	<a href="#">2.3.3</a>
4400-4940	Lower C-band	See Paragraph <a href="#">2.3.4</a>	<a href="#">2.3.4</a>
5091-5150	Middle C-band	See Paragraph <a href="#">2.3.5</a>	<a href="#">2.3.5</a>
5925-6700	Upper C-band	See Paragraph <a href="#">2.3.6</a>	<a href="#">2.3.6</a>

The 1755-1850 MHz band (unofficially called “upper L-band”) can also be used for telemetry at many test ranges although it is not explicitly listed as a telemetry band in the NTIA Table of Frequency Allocations.<sup>2</sup> The mobile service is a primary service in the 1755-1850 MHz band and telemetry is a part of the mobile service. Since the 1755-1850 MHz band is not considered a standard telemetry band per this document, potential users must coordinate, in advance, with the individual range(s) and ensure use of this band can be supported at the subject range and that it will meet their technical requirements. While these band designations are common in telemetry parlance, they may have no specific meaning to anyone else. Telemetry assignments are made for testing<sup>3</sup> manned and unmanned aircraft, for missiles, space, land, and sea test vehicles, and for rocket sleds and systems carried on such sleds. Telemetry assignments are also made for testing major components of the aforementioned systems.

### 2.3.1 Allocation of the Lower L-Band (1435-1535 MHz).

This band is allocated in the United States of America and its possessions for government and nongovernmental aeronautical telemetry use on a shared basis. The Aerospace and Flight Test Radio Coordinating Council coordinates the non-governmental use of this band. The frequencies in this range will be assigned for aeronautical telemetry and associated remote-control operations<sup>4</sup> for testing of manned or unmanned aircraft, missiles, rocket sleds, and other vehicles or their major components. Authorized usage includes telemetry associated with launching and reentry into the earth's atmosphere as well as any incidental orbiting prior to reentry of manned or unmanned vehicles undergoing flight tests. The following frequencies are shared with flight telemetering mobile stations: 1444.5, 1453.5, 1501.5, 1515.5, 1524.5, and 1525.5 MHz.

#### 2.3.1.1 1435 to 1525 MHz

This frequency range is allocated for the exclusive use of aeronautical telemetry in the United States of America.

#### 2.3.1.2 1525 to 1530 MHz

The 1525 to 1530 MHz band was reallocated at the 1992 World Administrative Radio Conference. The mobile-satellite service is now a primary service in this band. The mobile service, which includes aeronautical telemetry, is now a secondary service in this band.

<sup>2</sup> The definitions of the radio services that can be operated within certain frequency bands contained in the radio regulations as agreed to by the member nations of the International Telecommunications Union. This table is maintained in the United States by the Federal Communications Commission and the NTIA and is available at <http://transition.fcc.gov/oet/spectrum/table/fcctable.pdf>.

<sup>3</sup>A telemetry system as defined here is not critical to the operational (tactical) function of the system.

<sup>4</sup>The word used for remote control operations in this band is *telecommand*.

2.3.1.3 1530 to 1535 MHz

The maritime mobile-satellite service is a primary service in the frequency band from 1530 to 1535 MHz.<sup>5</sup> The mobile service (including aeronautical telemetry) is a secondary service in this band.

2.3.2 Allocation of the Lower S-Band (2200 to 2300 MHz).

No provision is made in this band for the flight testing of manned aircraft.

2.3.2.1 2200 to 2290 MHz

These frequencies are shared equally by the United States Government's fixed, mobile, space research, space operation, and the Earth Exploration Satellite Services, and include telemetry associated with launch vehicles, missiles, upper atmosphere research rockets, and space vehicles regardless of their trajectories.

2.3.2.2 2290 to 2300 MHz

Allocations in this range are for the space research service (deep space only) on a shared basis with the fixed and mobile (except aeronautical mobile) services.

2.3.3 Allocation of the Upper S-Band (2310 to 2395 MHz).

This band is allocated to the fixed, mobile, radiolocation, and broadcasting-satellite services in the United States of America. Government and nongovernmental telemetry users share this band in a manner similar to that of the L band. Telemetry assignments are made for flight-testing of manned or unmanned aircraft, missiles, space vehicles, or their major components.

2.3.3.1 2310 to 2360 MHz

These frequencies have been reallocated and were auctioned by the Federal Communications Commission in April 1997. The Wireless Communications Service is the primary service in the frequencies 2305-2320 MHz and 2345-2360 MHz. The broadcasting-satellite (sound) service is the primary service in the 2320-2345 MHz band. In the band 2320-2345 MHz, the mobile and radiolocation services are allocated on a primary basis until a broadcasting-satellite (sound) service has been brought into use in such a manner as to affect or be affected by the mobile and radiolocation services in those service areas

2.3.3.2 2360 to 2395 MHz

The Mobile Service (including aeronautical telemetry) is a primary service in this band.

2.3.4 Allocation of the Lower C-Band (4400-4940 MHz)

Telemetry is an operation that is currently allowed under the mobile service allocation.

2.3.5 Allocation of the Middle C-Band (5091-5150 MHz)

The process of incorporating aeronautical telemetry operations into the NTIA Table of Frequency Allocations for this band has been initiated but not yet completed.

---

<sup>5</sup> Reallocated as of 1 January 1990.

### 2.3.6 Allocation of the Upper C-Band (5925-6700 MHz)

This band is not currently allocated as a government band. The process of incorporating federal government use of aeronautical telemetry operations into the NTIA Table of Frequency Allocations for this band has been initiated but not yet completed.

## 2.4 **Telemetry Transmitter Systems**

Telemetry requirements for air, space, and ground systems are accommodated in the appropriate bands as described in Paragraph [2.3](#).

### 2.4.1 Center Frequency Tolerance

Unless otherwise dictated by a particular application, the frequency tolerance for a telemetry transmitter shall be  $\pm 0.002$  percent of the transmitter's assigned center frequency. Transmitter designs shall control transient frequency errors associated with startup and power interruptions. During the first second after turn-on, the transmitter output frequency shall be within the occupied bandwidth of the modulated signal at any time when the transmitter output power exceeds -25 decibels (dB) referenced to one milliwatt (dBm). Between 1 and 5 seconds after initial turn-on, the transmitter frequency shall remain within twice the specified limits for the assigned radio frequency. After 5 seconds, the standard frequency tolerance is applicable for any and all operations where the transmitter power output is -25 dBm or greater (or produces a field strength greater than 320 microvolts [ $\mu\text{V}$ ]/meter at a distance of 30 meters from the transmitting antenna in any direction). Specific uses may dictate tolerances more stringent than those stated.

### 2.4.2 Output Power

Emitted power levels shall always be limited to the minimum required for the application. The output power shall not exceed 25 watts<sup>6</sup>. The effective isotropic radiated power (EIRP) shall not exceed 25 watts.

### 2.4.3 Modulation

The traditional modulation methods for aeronautical telemetry are frequency modulation and phase modulation. Pulse code modulation (PCM)/frequency modulation (FM) has been the most popular telemetry modulation since around 1970. The PCM/FM method could also be called filtered continuous phase frequency shift keying (CPFSK). The radio frequency (RF) signal is typically generated by filtering the baseband non-return-to-zero-level (NRZ-L) signal and then frequency modulating a voltage-controlled oscillator. The optimum peak deviation is 0.35 times the bit rate and a good choice for a premodulation filter is a multi-pole linear phase filter with bandwidth equal to 0.7 times the bit rate. Frequency and phase modulation have a variety of desirable features but may not provide the required bandwidth efficiency, especially for higher bit rates. When better bandwidth efficiency is required, the standard methods for digital signal transmission are the Feher's patented quadrature phase shift keying (FQPSK-B and FQPSK-JR), the shaped offset quadrature phase shift keying (SOQPSK-TG), and the Advanced Range Telemetry (ARTM) continuous phase modulation (CPM). Each of these methods offer constant, or nearly constant, envelope characteristics and are compatible with non-linear amplifiers with minimal spectral regrowth and minimal degradation of detection efficiency. The

---

<sup>6</sup> An exemption from this EIRP limit will be considered; however, systems with EIRP levels greater than 25 watts will be considered nonstandard systems and will require additional coordination with affected test ranges.



first three methods (FQPSK-B, FQPSK-JR, and SOQPSK-TG) are interoperable and require the use of the differential encoder described in Subsection 2.4.3.1.1 below. Additional information on this differential encoder is contained in [Appendix M](#). All of these bandwidth-efficient modulation methods require the data to be randomized. Additional characteristics of these modulation methods are discussed in the following paragraphs and in Section 7 of [Appendix A](#).

#### 2.4.3.1 Characteristics of FQPSK-B

FQPSK-B is described in the Digcom Inc. publication, “*FQPSK-B, Revision A1, Digcom-Feher Patented Technology Transfer Document, January 15, 1999.*” This document can be obtained under a license from:

Digcom Inc.  
44685 Country Club Drive  
El Macero, CA 95618  
Telephone: 530-753-0738  
FAX: 530-753-1788

##### 2.4.3.1.1 Differential Encoding

Differential encoding shall be provided for FQPSK-B, FQPSK-JR, and SOQPSK-TG and shall be consistent with the following definitions:

The NRZ-L data bit sequence  $\{b_n\}$  is sampled periodically by the transmitter at time instants:

$$t = nT_b \quad n = 0, 1, 2, \dots$$

where  $T_b$  is the NRZ-L bit period.

Using the bit index values  $n$  as references to the beginning of symbol periods, the differential encoder alternately assembles I-channel and Q-channel symbols to form the following sequences:

$$I_2, I_4, I_6, \dots$$

and

$$Q_3, Q_5, Q_7, \dots$$

according to the following rules:

$$I_{2n} = b_{2n} \oplus \bar{Q}_{(2n-1)} \quad n > 0 \quad (2-1)$$

$$Q_{(2n+1)} = b_{(2n+1)} \oplus I_{2n} \quad n > 0 \quad (2-2)$$

Where  $\oplus$  denotes the exclusive-or operator, and the bar above a variable indicates the ‘not’ or inversion operator. Q-channel symbols are offset (delayed) relative to I-channel symbols by one bit period.

2.4.3.1.2 Characteristics of FQPSK-JR

FQPSK-JR is a cross-correlated, constant envelope, spectrum shaped variant of FQPSK. It assumes a quadrature modulator architecture and synchronous digital synthesis of the I and Q-channel modulating signals as outlined in [Figure 2-1](#).

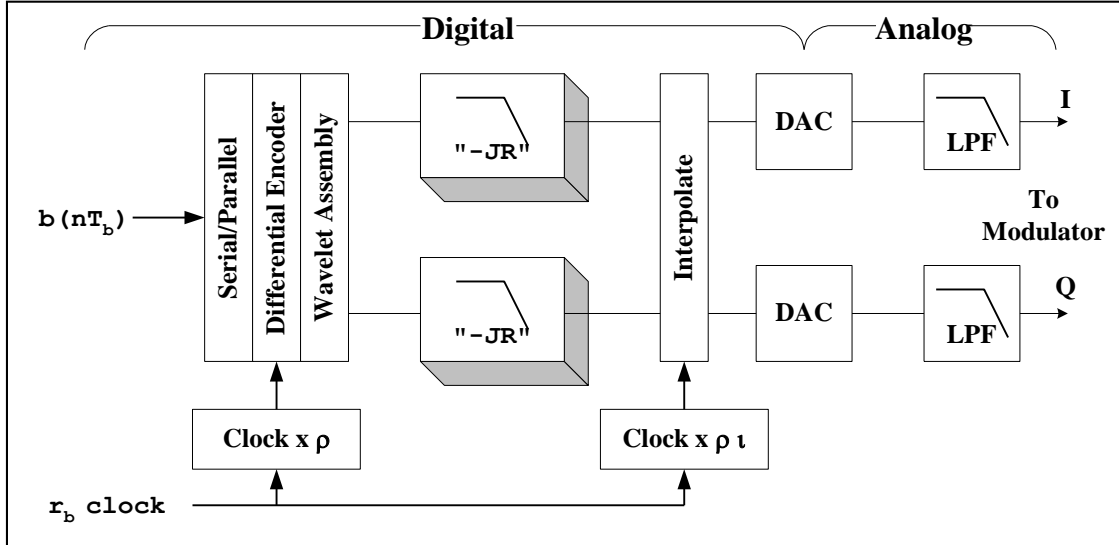


Figure 2-1. FQPSK-JR baseband signal generator

FQPSK-JR utilizes the time domain wavelet functions defined in United States Patent 4,567,602<sup>7</sup> with two exceptions. The transition functions used in the cited patent,

$$G(t) = \begin{cases} \pm \left[ 1 - K \cos^2\left(\frac{\pi}{T_s}\right) \right] \\ \pm \left[ 1 - K \sin^2\left(\frac{\pi}{T_s}\right) \right] \end{cases} \quad (2-3)$$

$$K = 1 - A = 1 - \frac{\sqrt{2}}{2}$$

are replaced with the following transition functions:

<sup>7</sup> Kamilo Feher and Shuzo Kato. Correlated signal processor. US Patent 4,567,602. Filed 13 June 1983 and issued 28 January 1986.

$$G(t) = \begin{cases} \pm \sqrt{1 - A^2 \cos^2\left(\frac{\pi t}{T_s}\right)} \\ \pm \sqrt{1 - A^2 \sin^2\left(\frac{\pi t}{T_s}\right)} \end{cases}$$

$$A = \frac{\sqrt{2}}{2} \quad (2-4)$$

where  $T_s = 2/\tau_b$  is the symbol period.

The digital “JR” spectrum-shaping filter used for each channel is a linear phase, finite impulse response (FIR) filter. The filter is defined in terms of its impulse response sequence  $h(n)$  in [Table 2-2](#) and assumes a fixed wavelet sample rate of  $\rho = 6$  samples per symbol. The  $JR_{equiv}$  column is the aggregate response of the cascaded  $JR_a$  and  $JR_b$  filters actually used.

<b>Table 2-2. FQPSK-JR Shaping Filter Definition</b>			
Filter Weight	$JR_{equiv}$	$JR_a$	$JR_b$
$h(0)$	-0.046875	$2^{-2}$	$-(2^{-3} + 2^{-4})$
$h(1)$	0.109375	$h(0)$	$(2^{-1} + 2^{-3})$
$h(2)$	0.265625	$h(0)$	$h(1)$
$h(3)$	$h(2)$	-	$h(0)$
$h(4)$	$h(1)$	-	-
$h(5)$	$h(0)$	-	-

Digital interpolation is used to increase sample rate, moving all alias images created by digital to analog conversion sufficiently far away from the fundamental signal frequency range that out-of-channel noise floors can be well controlled. The FQPSK-JR reference implementations currently utilize 4-stage Cascade-Integrator-Comb interpolators with unity memory lag factor.<sup>8</sup> Interpolation ratio “ $i$ ” is adjusted as a function of bit rate such that fixed cutoff frequency post-D/A anti-alias filters can be used to cover the entire range of required data rates.<sup>9</sup>

#### 2.4.3.1.3 Carrier Suppression

The remnant carrier level shall be no greater than -30 decibels relative to the carrier (dBc). Additional information of carrier suppression can be seen at Section 7 of [Appendix A](#).

<sup>8</sup> Eugene Hogenauer. “An Economical Class of Digital Filters for Decimation and Interpolation” in *IEEE Transactions on Acoustics, Speech, and Signal Processing*, 29, No. 2 (1981): 155-162.

<sup>9</sup> The FQPSK-JR definition does not include a specific interpolation method and a post-D/A filter design; however, it is known that benchmark performance will be difficult to achieve if the combined effects of interpolation and anti-alias filter produce more than .04 dB excess attenuation at 0.0833 times the input sample rate and more than 1.6 dB of additional attenuation at 0.166 times the sample rate where the input sample rate is referred to the input of the interpolator assuming 6 samples per second.

#### 2.4.3.1.4 Quadrature Modulator Phase Map

[Table 2-3](#) lists the mapping from the input to the modulator (after differential encoding and FQPSK-B or FQPSK-JR wavelet assembly) to the carrier phase of the modulator output. The amplitudes in [Table 2-3](#) are  $\pm a$ , where “a” is a normalized amplitude.

<b>Table 2-3. FQPSK-B and FQPSK-JR Phase Map</b>		
<b>I Channel</b>	<b>Q Channel</b>	<b>Resultant Carrier Phase</b>
a	a	45 degrees
-a	a	135 degrees
-a	-a	225 degrees
a	-a	315 degrees

#### 2.4.3.2 Characteristics of SOQPSK-TG

SOQPSK is a family of constant envelope CPM waveforms.<sup>10, 11, 12, 13</sup> It is most simply described as a non-linear frequency modulation modeled as shown in [Figure 2-2](#).

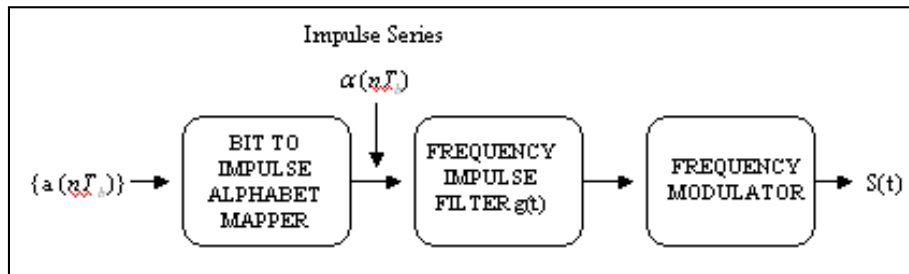


Figure 2-2. Basic SOQPSK

The SOQPSK waveform family is uniquely defined in terms of impulse excitation of a *frequency* impulse shaping filter function  $g(t)$ :

$$g(t) = n(t)w(t) \quad (2-5)$$

where

<sup>10</sup> T. J. Hill. “An Enhanced, Constant Envelope, Interoperable Shaped Offset QPSK (SOQPSK) Waveform for Improved Spectral Efficiency.” Paper presented during 36th Annual International Telemetry Conference, San Diego, CA. October 23-26, 2000.

<sup>11</sup> Badri Younes, James Brase, Chitra Patel, and John Wesdock. “An Assessment of Shaped Offset QPSK for Use in NASA Space Network and Ground Network Systems” in *Proceedings of the CCSDS RF and Modulation Subpanel 1E Meeting of May 2001 Concerning Bandwidth-Efficient Modulation*. CCSDS B20.0-Y-2. June 2001. Available at <http://public.ccsds.org/publications/archive/B20x0y2.pdf>.

<sup>12</sup> Mark Geoghegan. “Implementation and Performance Results for Trellis Detection of SOQPSK.” Paper presented at the 37<sup>th</sup> Annual International Telemetry Conference, Las Vegas, NV, October 2001.

<sup>13</sup> Marvin Simon. “Bandwidth-Efficient Digital Modulation with Application to Deep Space Communications.” JPL Publication 00-17. June 2001. Available at <http://descanso.jpl.nasa.gov/Monograph/series3/complete1.pdf>.

$$n(t) \equiv \left[ \frac{A \cos \pi \theta_1(t)}{1 - 4\theta_1^2(t)} \right] \left[ \frac{\sin \theta_2(t)}{\theta_2(t)} \right] \quad (2-6)$$

$$\theta_1(t) = \frac{\rho B t}{T_s}$$

$$\theta_2(t) = \frac{\pi B t}{T_s}$$

$$w(t) \equiv \begin{cases} 1, & \left| \frac{t}{T_s} \right| \leq T_1 \\ \frac{1}{2} \left[ 1 + \cos \left( \frac{\pi \left( \left| \frac{t}{T_s} \right| - T_1 \right)}{T_2} \right) \right], & T_1 < \left| \frac{t}{T_s} \right| \leq T_1 + T_2 \\ 0, & \left| \frac{t}{T_s} \right| > T_1 + T_2 \end{cases} \quad (2-7)$$

The function  $n(t)$  is a modified spectral raised cosine filter of amplitude  $A$ , rolloff factor  $\rho$ , and an additional time scaling factor  $B$ . The function  $w(t)$  is a time domain windowing function that limits the duration of  $g(t)$ . The amplitude scale factor  $A$  is chosen such that

$$\int_{-(T_1+T_2)T_s}^{(T_1+T_2)T_s} g(t) dt = \frac{\pi}{2} \quad (2-8)$$

Given a time series binary data sequence

$$\vec{a} = (\dots, a_{-2}, a_{-1}, a_0, a_1, a_2, \dots) \quad (2-9)$$

wherein the bits are represented by normalized antipodal amplitudes  $\{+1, -1\}$ , the ternary impulse series is formed with the following mapping rule (see also Geoghegan, *Implementation* and Simon, *Bandwidth*), ...

$$\alpha = (-1)^{i+1} \frac{a_{i-1}(a_i - a_{i-2})}{2} \quad (2-10)$$

which forms a data sequence alphabet of three values  $\{+1, 0, -1\}$ . It is important to note that this modulation definition does not establish an absolute relationship between the digital in-band inter-switch trunk signaling (dibits) of the binary data alphabet and transmitted phase as with conventional quadriphase offset quadrature phase shift keying (OQPSK) implementations. In order to achieve interoperability with coherent FQPSK-B demodulators, some form of precoding must be applied to the data stream prior to, or in conjunction with, conversion to the ternary excitation alphabet. The differential encoder defined in Subsection [2.4.3.1.1](#) fulfills this need; however, to guarantee full interoperability with the other waveform options, the polarity

relationship between frequency impulses and resulting frequency or phase change must be controlled. Thus, SOQPSK modulators proposed for this application shall guarantee that an impulse of value of (+1) will result in an advancement of the transmitted phase relative to that of the nominal carrier frequency (i.e., the instantaneous frequency is above the nominal carrier).

For purposes of this standard, only one specific variant of SOQPSK and SOQPSK-TG is acceptable. This variant is defined by the parameter values given in [Table 2-4](#).

<b>Table 2-4. SOQPSK-TG Parameters</b>				
<b>SOQPSK Type</b>	<b><math>\rho</math></b>	<b>B</b>	<b><math>T_1</math></b>	<b><math>T_2</math></b>
SOQPSK-TG	0.70	1.25	1.5	0.50

2.4.3.2.1 *Differential Encoding of SOQPSK-TG*

As discussed above, interoperability with FQPSK-B equipment requires a particular pre-coding protocol or a functional equivalent thereof. A representative model is shown in [Figure 2-3](#).

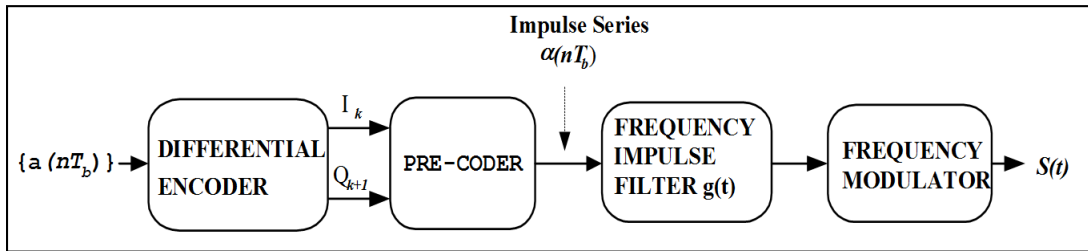


Figure 2-3. SOQPSK Transmitter

The differential encoder block will be implemented in accordance with the definition of Subsection [2.4.3.1.1](#). Given the symbol sequences  $I_k$  and  $Q_k$ , and the proviso that a normalized impulse sign of +1 will increase frequency, the pre-coder will provide interoperability with the FQPSK signals defined herein if code symbols are mapped to frequency impulses in accordance with [Table 2-5](#) where  $\Delta\Phi$  is the phase change.

<b>Table 2-5. SOQPSK Pre-Coding Table for IRIG-106 Compatibility</b>									
<b>Map <math>\alpha_k</math> from <math>I_k</math></b>					<b>Map <math>\alpha_{k+1}</math> from <math>Q_{k+1}</math></b>				
$I_k$	$Q_{k-1}$	$I_{k-2}$	$\Delta\Phi$	$\alpha_k$	$Q_{k+1}$	$I_k$	$Q_{k-1}$	$\Delta\Phi$	$\alpha_{k+1}$
-1	X*	-1	0	0	-1	X*	-1	0	0
+1	X*	+1	0	0	+1	X*	+1	0	0
-1	-1	+1	$-\pi/2$	-1	-1	-1	+1	$+\pi/2$	+1
-1	+1	+1	$+\pi/2$	+1	-1	+1	+1	$-\pi/2$	-1
+1	-1	-1	$+\pi/2$	+1	+1	-1	-1	$-\pi/2$	-1
+1	+1	-1	$-\pi/2$	-1	+1	+1	-1	$+\pi/2$	+1

\* Note: Does not matter if "X" is a +1 or a -1

2.4.3.3 *Characteristics of Advanced Range Telemetry Continuous Phase Modulation*

The ARTM CPM is a quaternary signaling scheme in which the instantaneous frequency of the modulated signal is a function of the source data stream. The frequency pulses are shaped

for spectral containment purposes. The modulation index alternates at the symbol rate between two values to improve the likelihood that the transmitted data is faithfully recovered. Although the following description is in terms of carrier frequency, other representations and generation methods exist that are equivalent. A block diagram of a conceptual ARTM CPM modulator is illustrated in [Figure 2-4](#). Source bits are presented to the modulator and are mapped into impulses that are applied to a filter with an impulse response  $g(t)$ . The resulting waveform  $f(t)$  is proportional to the instantaneous frequency of the desired modulator output. This signal can be used to frequency modulate a carrier to produce an RF signal representation.

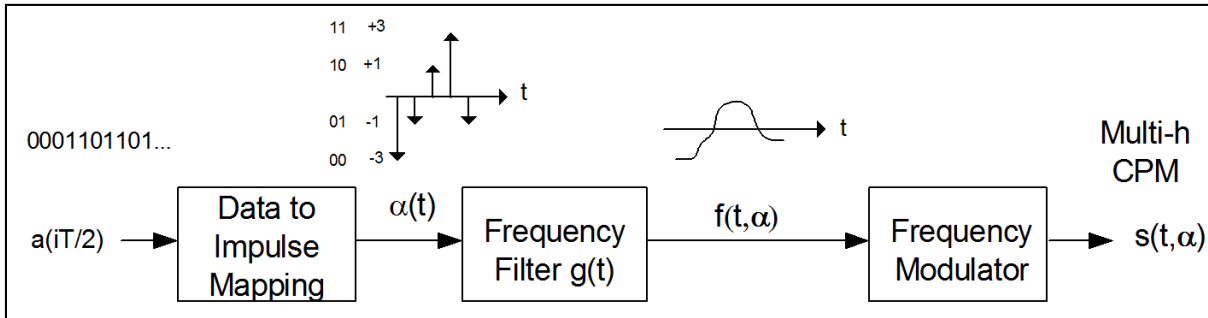


Figure 2-4. Conceptual CPM Modulator

Variables and function definitions in [Figure 2-4](#) above are as follows:

- $a(iT/2)$  =  $i$ th bit of binary source data, either a 0 or 1
- The frequency pulse shape for ARTM CPM is a three symbol long raised cosine pulse defined by the following equation for  $0 \leq t \leq 3T$ ,

$$g(t) = \frac{1}{6T} \left[ 1 - \cos\left(\frac{2\pi t}{3T}\right) \right] \quad (2-11)$$

- $T$  = Symbol period equal to  $2/(\text{bit rate in bits/second})$
- $\alpha(iT)$  =  $i$ th impulse with area equal to either a +3, +1, -1 or -3 determined by [Table 2-6](#). Note that an impulse is generated for each dibit pair (at the symbol rate).

Table 2-6. Dibit to Impulse Area Mapping	
Input Dibit [a(i) a(i+1)]	Impulse Area
1 1	+3
1 0	+1
0 1	-1
0 0	-3

- $f(t, \alpha)$  = frequency filter output equal to the following equation.

$$\pi h_i \sum_{i=-\infty}^{+\infty} \alpha(iT) g(t - iT) \quad (2-12)$$

- $h$  = modulation index;  $h$  alternates between  $h_1$  and  $h_2$  where  $h_1 = 4/16$ ,  $h_2 = 5/16$

For more information on the ARTM CPM waveform, please refer to [Appendix A](#) of this document and to the Geoghegan, *Description*.<sup>14</sup>

#### 2.4.3.4 Data Randomization

The data input to the transmitter shall be randomized using either an encryptor that provides randomization or an Inter-range Instrumentation Group (IRIG) 15-bit randomizer as described in [Chapter 6](#) and [Appendix D](#). The purpose of the randomizer is to prevent degenerative data patterns from degrading data quality.

#### 2.4.3.5 Bit Rate

The bit rate range for FQPSK-B, FQPSK-JR, and SOQPSK-TG shall be between 1 megabit per second (Mb/s) and 20 Mb/s. The bit rate range for ARTM CPM shall be between 5 Mb/s and 20 Mb/s.

#### 2.4.3.6 Transmitter Phase Noise

The sum of all discrete spurious spectral components (single sideband) shall be less than -36 dBc. The continuous single sideband phase noise power spectral density (PSD) shall be below the curve shown in [Figure 2-5](#) below. The maximum frequency for the curve in [Figure 2-5](#) is one-fourth of the bit rate. For bit rates greater than 4 Mb/s, the phase noise PSD shall be less than -100 dBc/hertz (Hz) between 1 MHz and one-fourth of the bit rate.

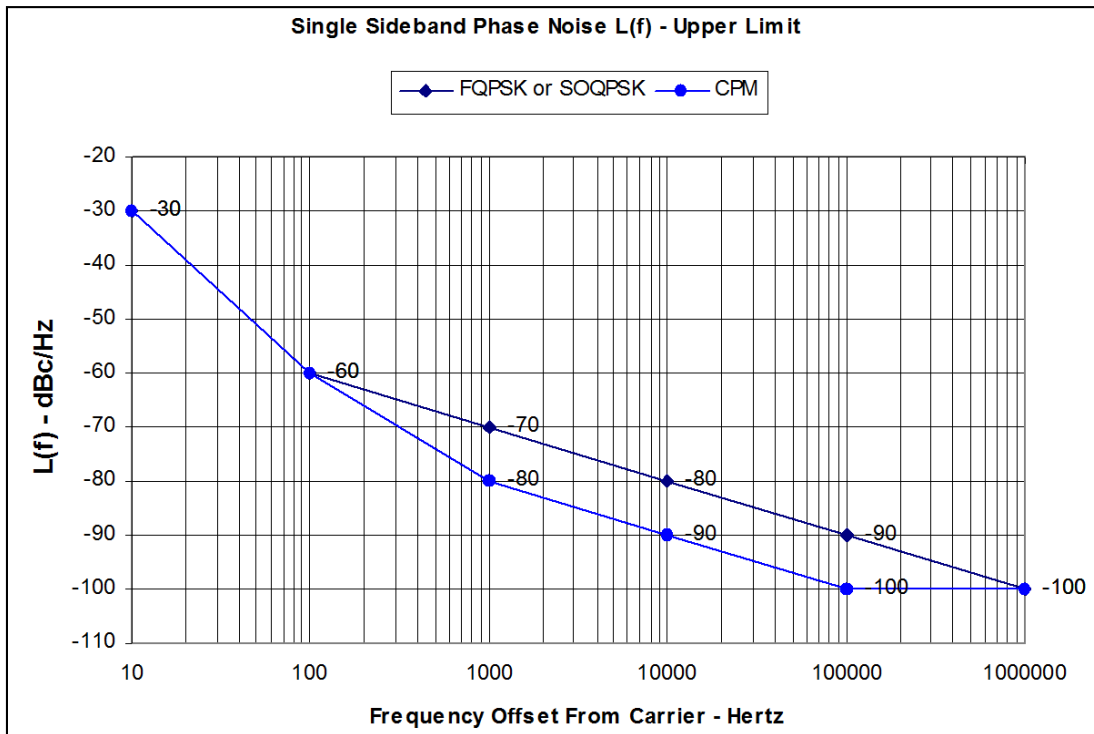


Figure 2-5. Continuous single sideband phase noise power spectral density

<sup>14</sup> Mark Geoghegan. "Description and Performance Results for the Multi-h CPM Tier II Waveform." Paper presented at the 36<sup>th</sup> International Telemetry Conference, San Diego, CA, October 2000.



2.4.3.7 Modulation Polarity

An increasing voltage at the input of a frequency modulation (FM) transmitter shall cause an increase in output carrier frequency. An increase in voltage at the input of a phase modulation (PM) transmitter shall cause an advancement in the phase of the output carrier. An increase in voltage at the input of an amplitude modulation transmitter shall cause an increase in the output voltage of the output carrier.

2.4.4 Spurious Emission and Interference Limits

Spurious<sup>15</sup> emissions from the transmitter case, through input and power leads, and at the transmitter radio frequency (RF) output and antenna-radiated spurious emissions are to be within required limits shown in Military Standard (MIL-STD) 461.<sup>16</sup> Other applicable standards and specifications may be used in place of MIL-STD-461 if necessary.

2.4.4.1 Transmitter-Antenna System Emissions

Emissions from the antenna are of primary importance. For example, a tuned antenna may or may not attenuate spurious frequency products produced by the transmitter, and an antenna or multi-transmitter system may generate spurious outputs when a pure signal is fed to its input. The transmitting pattern of such spurious frequencies is generally different from the pattern at the desired frequency. Spurious outputs in the transmitter output line shall be limited to -25 dBm. Antenna-radiated spurious outputs shall be no greater than 320 μV/meter at 30 meters in any direction.

<b>WARNING</b>	Spurious levels of -25 dBm may severely degrade performance of sensitive receivers whose antennas are located in close proximity to the telemetry transmitting antenna. Therefore, lower spurious levels may be required in certain frequency ranges, such as near Global Positioning System frequencies.
----------------	---

2.4.4.2 Conducted and Radiated Interference

Interference (and the RF output itself) radiated from the transmitter or fed back into the transmitter power, signal, or control leads could interfere with the normal operation of the transmitter or the antenna system to which the transmitter is connected. All signals conducted by the transmitter's leads (other than the RF output cable) in the range of 150 kilohertz (kHz) to 50 MHz, and all radiated fields in the range of 150 kHz to 10 gigahertz (GHz) (or other frequency ranges as specified) must be within the limits of the applicable standards or specifications.

2.4.5 Operational Flexibility

Each transmitter shall be capable of operating at all frequencies within its allocated band without design modification.<sup>17</sup>

<sup>15</sup> Any unwanted signal or emission is spurious whether or not it is related to the transmitter frequency (harmonic).

<sup>16</sup> Department of Defense. "Requirements for the Control of Electromagnetic Interference Characteristics of Subsystems and Equipment." MIL-STD-461. 10 December 2007. May be superseded by update. Available at [http://quicksearch.dla.mil/basic\\_profile.cfm?ident\\_number=35789&method=basic](http://quicksearch.dla.mil/basic_profile.cfm?ident_number=35789&method=basic).

<sup>17</sup> The intent is that fixed frequency transmitters can be used at different frequencies by changing crystals or other components. All applicable performance requirements will be met after component change.

#### 2.4.6 Modulated Transmitter Bandwidth.<sup>18</sup>

Telemetry applications covered by this standard shall use 99-percent power bandwidth to define occupied bandwidth and -25 dBm bandwidth as the primary measure of spectral efficiency. The -25 dBm bandwidth is the minimum bandwidth that contains all spectral components that are -25 dBm or larger. A power level of -25 dBm is exactly equivalent to an attenuation of the transmitter power by  $55 + 10 \times \log(P)$  dB where P is the transmitter power expressed in watts. The spectra are assumed symmetrical about the transmitter's center frequency unless specified otherwise. All spectral components larger than  $-(55 + 10 \times \log(P))$  dBc at the transmitter output must be within the spectral mask calculated using the following equation:

$$M(f) = K + 90 \log R - 100 \log |f - f_c|; |f - f_c| \geq \frac{R}{m} \quad (2-13)$$

where  $M(f)$  = power relative to P (i.e., units of dBc) at frequency f (MHz)

K = -20 for analog signals

= -28 for binary signals

= -61 for FQPSK-B, FQPSK-JR, SOQPSK-TG

= -73 for ARTM CPM

$f_c$  = transmitter center frequency (MHz)

R = bit rate (Mb/s) for digital signals or  $(\Delta f + f_{\max})$  (MHz) for analog FM signals

m = number of states in modulating signal;

m = 2 for binary signals

m = 4 for quaternary signals and analog signals

$\Delta f$  = peak deviation

$f_{\max}$  = maximum modulation frequency

Note that the mask in this standard is different than the masks contained in earlier versions of the Telemetry Standards. Equation (2-13) does not apply to spectral components separated from the center frequency by less than  $R/m$ . The -25 dBm bandwidth is not required to be narrower than 1 MHz. Binary signals include all modulation signals with two states while quaternary signals include all modulation signals with four states (quadrature phase shift keying and FQPSK-B are two examples of four-state signals). [Appendix A](#), Paragraph 6.0 contains additional discussion and examples of this spectral mask.

#### 2.4.7 Valid Center Frequencies Near Telemetry Band Edges

The telemetry bands, as specified, start and stop at discrete frequencies. Telemetry transmitters transmitting PCM/FM or SOQPSK-TG/FQPSK-B/FQPSK-JR or ARTM CPM, even with optimal filtering, do not have discrete start and stop frequencies. In order to determine a valid carrier frequency, the transmitter power, modulation scheme, and data rate must be known. The distance, in frequency, from the point in which the spectral masks, as described in Subsection [2.4.6](#), intersect the absolute value of -25 dBm equals the amount in which the transmitter carrier frequency must be from the band edge frequency. Paragraph 12.0 of

<sup>18</sup> These bandwidths are measured using a spectrum analyzer with the following settings: 30-kHz resolution bandwidth, 300-Hz video bandwidth, and no max hold detector or averaging.

[Appendix A](#) contains additional discussion and examples of center frequency determination when operating near telemetry band edges.

## 2.5 Telemetry Receiver Systems

As a minimum, receiver systems shall have the following characteristics.

### 2.5.1 Spurious Emissions

The RF energy radiated from the receiver itself or fed back into the power supply, and/or the RF input, output, and control leads in the range from 150 kHz to 10 GHz shall be within the limits specified in MIL-STD 461. The receiver shall be tested in accordance with MIL-STD 461 or RCC Document 118, Volume II.<sup>19</sup> Other applicable standards and specifications may be used in place of MIL-STD-461, if necessary.

### 2.5.2 Frequency Tolerance

The accuracy of all local oscillators within the receiver shall be such that the conversion accuracy at each stage and overall is within  $\pm 0.001$  percent of the indicated tuned frequency under all operating conditions for which the receiver is specified.

### 2.5.3 Receiver Phase Noise

The sum of all discrete spurious spectral components (single sideband) shall be less than -39 dBc. The continuous single sideband phase noise PSD shall be 3 dB below the curve shown in [Figure 2-5](#). The maximum frequency for the curve in [Figure 2-5](#) is one-fourth of the bit rate. For bit rates greater than 4 Mb/s, the phase noise PSD shall be less than -103 dBc/Hz between 1 MHz and one-fourth of the bit rate.

### 2.5.4 Spurious Responses

Rejection of any frequency other than the one to which the receiver is tuned shall be a minimum of 60 dB referenced to the desired signal over the range 150 kHz to 10 GHz.

### 2.5.5 Operational Flexibility

All ground-based receivers shall be capable of operating over the entire band for which they are designed. External down-converters may be either intended for the entire band or a small portion but capable of retuning anywhere in the band without modification.

### 2.5.6 Intermediate Frequency Bandwidths


The standard receiver intermediate frequency (IF) bandwidths are shown in [Table 2-7](#). These bandwidths are separate from and should not be confused with post-detection low-pass filtering that receivers provide.<sup>20</sup> The ratio of the receiver's -60 dB bandwidth to the -3 dB bandwidth shall be less than 3 for new receiver designs.

300 kHz	1.5 MHz	6 MHz
---------	---------	-------

<sup>19</sup> Range Commanders Council. "Test Methods for Telemetry Systems and Subsystems Volume 2." RCC 118-12. May be superseded by update. Available at <http://www.wsmr.army.mil/RCCSITE/Pages/Publications.aspx>.

<sup>20</sup> In most instances, the output low-pass filter should *not* be used to "clean up" the receiver output prior to use with demultiplexing equipment.

500 kHz	2.4 MHz	10 MHz
750 kHz	3.3 MHz	15 MHz
1000 kHz	4.0 MHz	20 MHz

 <p><b>NOTE</b></p>	<ol style="list-style-type: none"> <li>1. For data receivers, the IF bandwidth should typically be selected so that 90 to 99 percent of the transmitted spectrum is within the receiver 3 dB bandwidth. In most cases, the optimum IF bandwidth will be narrower than the 99 percent power bandwidth.</li> <li>2. Bandwidths are expressed at the points where response is 3 dB below the response at the design center frequency, assuming that passband ripple is minimal, which may not be the case. The 3-dB bandwidth is chosen because it closely matches the noise bandwidth of a "brick-wall" filter of the same bandwidth. The "optimum" bandwidth for a specific application may be other than that stated here. Ideal IF filter response is symmetrical about its center frequency; in practice, this may not be the case.</li> <li>3. Not all bandwidths are available on all receivers or at all test ranges. Additional receiver bandwidths may be available at some test ranges especially if the range has receivers with digital IF filtering</li> </ol>
--	---

### 2.5.7 C-band Downconversion

For telemetry receive systems employing C-band downconversion, the following mapping of C-band RF to C-band IF frequencies is recommended for the lower C and middle C bands. This downconversion scheme utilizes a high-side local oscillator frequency of 5550 MHz to minimize the potential of mixing products interfering with received telemetry signals. Additionally, using a standardized approach fosters interoperability between manufacturers of telemetry antenna systems employing downconversion and manufacturers of telemetry receivers with C-IF tuners.

No recommendation will be made at this point for the downconversion of the upper C band (5925-6700 MHz).

Examples:

$$\text{C-IF Frequency} = (5550 \text{ MHz} - \text{C-RF Frequency})$$

$$1150 \text{ MHz} = (5550 \text{ MHz} - 4400 \text{ MHz})$$

$$610 \text{ MHz} = (5550 \text{ MHz} - 4940 \text{ MHz})$$

$$459 \text{ MHz} = (5550 \text{ MHz} - 5091 \text{ MHz})$$

$$400 \text{ MHz} = (5550 \text{ MHz} - 5150 \text{ MHz})$$

## Appendix 2-A. Glossary

**Allocation (of a Frequency Band):** Entry of a frequency band into the Table of Frequency Allocations for use by one or more radio communication services or the radio astronomy service under specified conditions.

**Assignment of an RF or Radio Frequency Channel (RFC):** Authorization given by an administration, for a radio station to use an RF or RFC under specified conditions.

**Authorization:** Permission to use an RF or RFC channel under specified conditions.

**Occupied Bandwidth:** The width of a frequency band such that below the lower and above the upper frequency limits, the mean powers emitted are each equal to a specified percentage of the total mean power of a given emission. Unless otherwise specified by the International Telecommunication Union for the appropriate class of emission, the specified percentage shall be 0.5 percent. The occupied bandwidth is also called the 99-percent power bandwidth in this document.

**Primary Service:** A service that has full rights in a band of frequencies and can claim protection from harmful interference from other services.

**Secondary Service:** Service that can be obtained on a noninterference operation basis with primary service users. Stations of a secondary service shall not cause harmful interference to stations of a primary service and cannot claim protection from interference from stations of a primary service; however, they can claim protection from harmful interference from other secondary stations to which frequencies were assigned at a later date.

## Appendix 2-B. References

- Badri Younes, James Brase, Chitra Patel, and John Wesdock. “An Assessment of Shaped Offset QPSK for Use in NASA Space Network and Ground Network Systems” in Proceedings of the CCSDS RF and Modulation Subpanel 1E Meeting of May 2001 Concerning Bandwidth-Efficient Modulation. CCSDS B20.0-Y-2. June 2001. Available at <http://public.ccsds.org/publications/archive/B20x0y2.pdf>.
- Department of Defense. “Requirements for the Control of Electromagnetic Interference Characteristics of Subsystems and Equipment.” MIL-STD-461. 10 December 2007. May be superseded by update. Available at [http://quicksearch.dla.mil/basic\\_profile.cfm?ident\\_number=35789&method=basic](http://quicksearch.dla.mil/basic_profile.cfm?ident_number=35789&method=basic).
- Eugene Hogenauer. “An Economical Class of Digital Filters for Decimation and Interpolation” in IEEE Transactions on Acoustics, Speech, and Signal Processing, 29, No. 2 (1981): 155-162.
- Kamilo Feher and Shuzo Kato. Correlated signal processor. US Patent 4,567,602. Filed 13 June 1983 and issued 28 January 1986.
- Mark Geoghegan. “Implementation and Performance Results for Trellis Detection of SOQPSK.” Paper presented at the 37th Annual International Telemetry Conference, Las Vegas, NV, October 2001.
- . “Description and Performance Results for the Multi-h CPM Tier II Waveform.” Paper presented at the 36th International Telemetry Conference, San Diego, CA, October 2000.
- Marvin Simon. “Bandwidth-Efficient Digital Modulation with Application to Deep Space Communications.” JPL Publication 00-17. June 2001. Available at <http://descanso.jpl.nasa.gov/Monograph/series3/complete1.pdf>.
- National Telecommunications and Information Administration. “Manual of Regulations and Procedures for Federal Radio Frequency Management.” May 2012. May be superseded by update. Available at [http://www.ntia.doc.gov/files/ntia/publications/redbook/2012-05/Manual\\_2012.pdf](http://www.ntia.doc.gov/files/ntia/publications/redbook/2012-05/Manual_2012.pdf).
- T. J. Hill. “An Enhanced, Constant Envelope, Interoperable Shaped Offset QPSK (SOQPSK) Waveform for Improved Spectral Efficiency.” Paper presented during 36th Annual International Telemetry Conference, San Diego, CA. October 23-26, 2000.

**\*\*\*\* END OF CHAPTER 2 \*\*\*\***